



5 Year
Warranty



50,000
Hours



Dimmable



Beam Angle
is 60°



700
Lumens



Fire Rated
30/60/90



16V



0333
EN14604:2005 + AC:2008
DoP No. 101-001



Driver
Included

Important information

- The luminaire and smoke alarm must be installed in accordance with local wiring regulations if in doubt seek advice from a qualified electrician.
- Before installing or completing maintenance work on the luminaire and smoke alarm make sure the mains power is switched off.
- The luminaire and smoke alarm is designed for indoor use only.
- The luminaire is dimmable, a trailing-edge dimmer must be used.
- The light source of this luminaire is not replaceable; when the light source reaches its end of life the whole luminaire must be replaced.
- The luminaire is fire rated 30/60/90 minutes under EN1365- 2014 fire test.
- The driver provided is the only driver that can be used with this luminaire.
- The smoke alarm can only be installed within the Lumi-Plugin luminaire and not as a single unit.
- The smoke alarm is powered by mains power (110-230V AC), with a CR2 lithium back-up battery.
- The smoke alarm can be RF interlinked with other alarms in the CAVIUS Wireless Family.
- The Maximum number of alarms that can be interlinked within a house group is 32.
- The distance between interlinked alarms depends on the house layout and should always be tested after installation. It is not advised to install alarms with a separation of more than 10m.
- The best areas to install the smoke alarms:**
 - Note the local country regulations regarding installation
 - Install an alarm between possible fire sources and bedrooms as a minimum.
- Do not install the smoke alarms:**
 - In dusty rooms
 - In kitchens, garages, laundries, or too close to fire places.
 - In areas where there is dampness, gases or smoke could occur. In these areas a heat alarm should be installed.
 - In rooms where the temperature goes outside the range of +4 degrees to 38°C or above 90% relative humidity not condensing.
 - At the top of a high pointed ceiling, in ceiling corners and within 50cm of a wall
- Placement:**

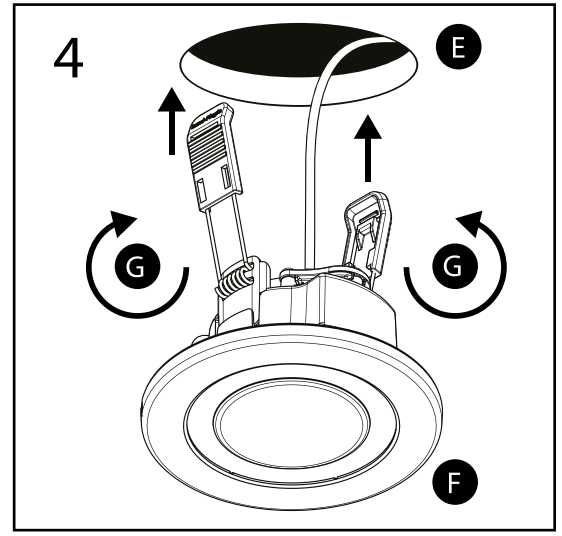
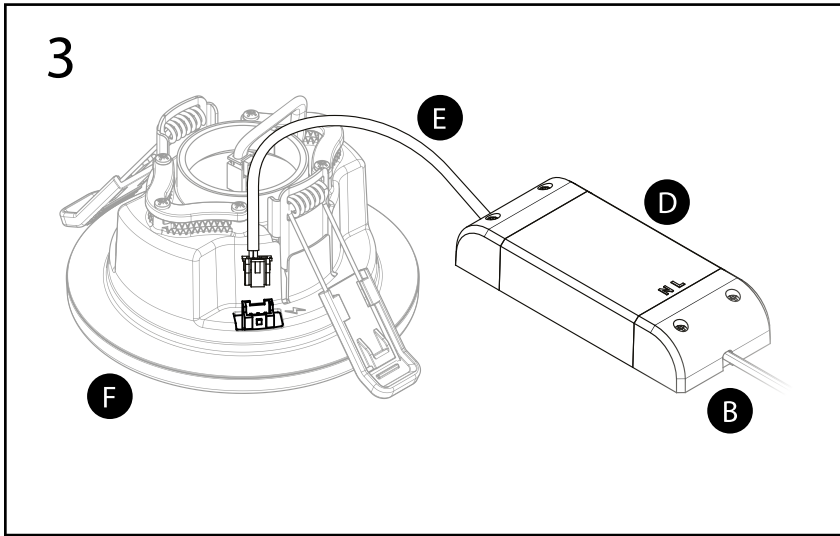
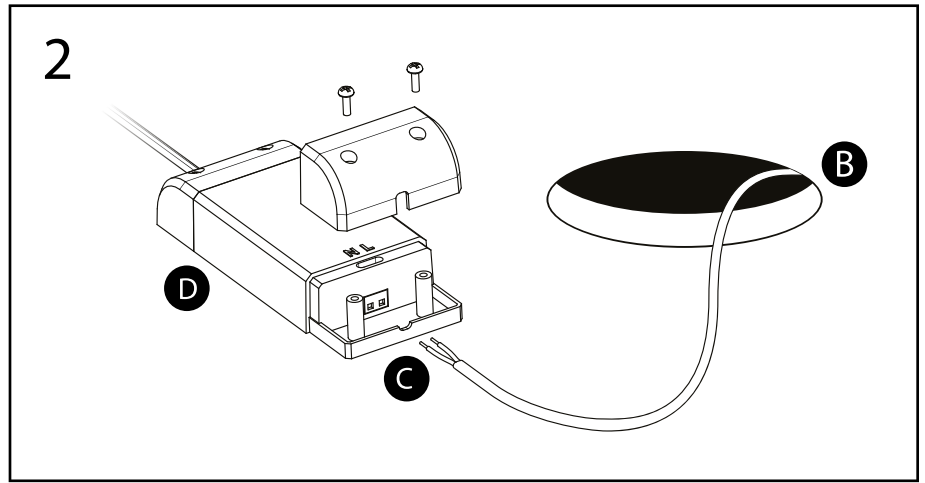
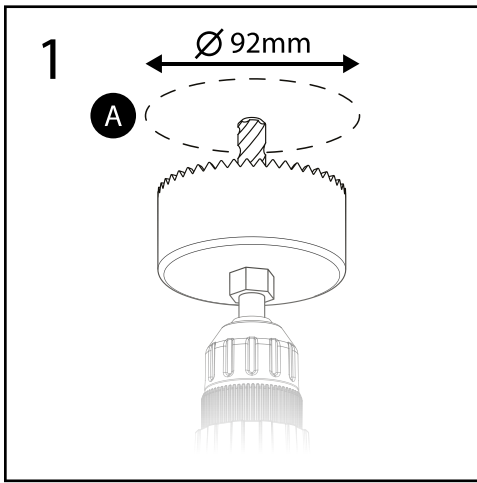
The luminaire and smoke alarm is designed to be installed into a ceiling with a minimum of one smoke alarm per floor and a maximum distance between alarms being 10 meters.

Downlight specification

Brand:	Lumi-Plugin
Available Colours:	White or Chrome
IP Rating:	IP65
Material:	Mixed (Metal and Plastic)
Input Voltage to luminaire	16V
Input Voltage to Driver	220V - 240V 50/60Hz
Power Output:	9.5W
Colour Temp:	4000K or 2700K
Light Colour:	Cool White or Warm White
Dimmable:	Yes
Fire Rating:	30/60/90
Luminaires per pack:	1
Product Diameter:	120mm
Product Depth:	70mm
Hours:	50,000
Lumens:	700L
Beam Angle:	60°

Smoke alarm specification

Brand:	Lumi-Plugin
Isotope Activity:	Absence of radioactive substance
Operation AC/DC:	110V AC, 230V AC
Battery Type:	Replaceable CR2 back up battery
Power Consumption:	161mAh in non-alarm condition
Interlink Frequency:	868MHZ
Range:	Minimum 100m in open field
Sound:	Audible indicator min. 85 dB @ 3 meter in anechoic successive tones

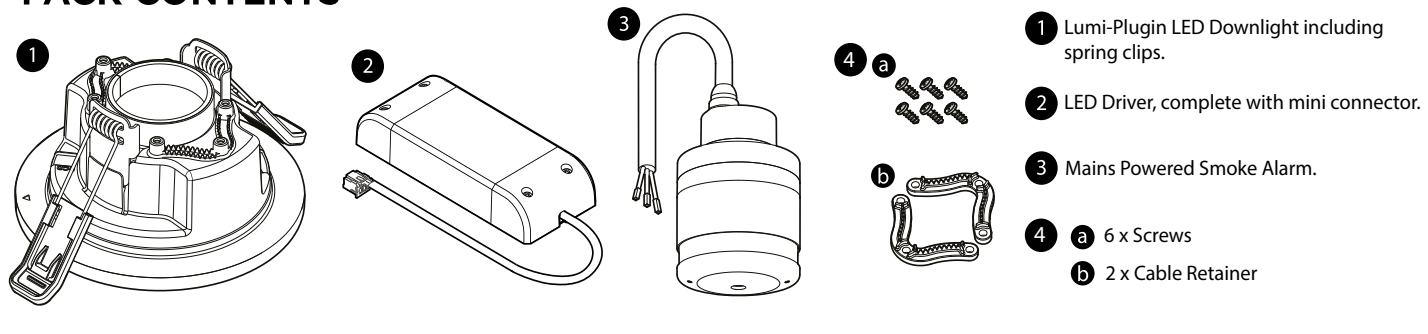


A Ceiling surface **B** Mains supply **C** Live / Neutral cable **D** LED Driver **E** LED Driver output cable **F** Lumi-Plugin Downlight **G** Spring clips

Installation instructions

- 1) Cut a circular hole in the ceiling (A) 92mm in diameter where the luminaire is going to be installed. Do not exceed the cutting diameter. (Diagram 1)
 - 2) Remove the screws on the LED driver (D) and remove end cap. Take a supply feed from the lighting radial circuit (B). Strip off the end of the cable (C) and connect to the LED driver (D). Put the end cap back onto the LED driver (D) and insert screws. (Diagram 2)
 - 3) Connect the LED Driver output cable to the luminaire. Feed the mains supply cable (B) and LED driver (D) back through the 92mm cut out hole. (Diagram 3)
 - 4) The smoke alarm is held within the luminaire using magnets. The alarm comes with a cable fitted. Ensure the cable is coming out of the back of the luminaire and connect to the mains power.
 - 5) Lift both springs so they are in the upwards position then insert the luminaire into the 92mm cut out hole in the ceiling. Make sure no cables are trapped under the springs and that the luminaire is centred in the hole.
- Please note: The alarm is delivered in the packaging with a dust cover, installed to protect the alarm for exposure to excessive dust which could potentially damage or reduce the function of the alarm while the building is under construction. The dust cover must be removed after the building is fully cleaned.

PACK CONTENTS



How to set up and connect alarms

- 1) Pull down the smoke alarm away from the luminaire so the magnets are not connected anymore. (Diagram 5)
- 2) Twist the smoke alarm anti clockwise to release the alarm from the mains power.
- 3) Pull out the battery isolation strip in the battery compartment as shown (Diagram 6)
Please note: RF connection is done with the device powered with the battery only. You do not have to connect the power supply. The product label must not be removed as it contains important information regarding the product.
- 4) All alarms to be connected in the house should be put into 'Learn Mode' by sliding the switch on the back of the alarm to the 'Learn Mode' position. (Diagram 7)

Please note: The learn switch placed on the back of the alarm can only be in learn position when the alarm is disassembled from the power supply unit. The learn switch will automatically switch to normal position when the alarm head is fitted to the power supply.

- 5) The red LED will light up to indicate that 'Learn Mode' has been selected. Do not remove the battery during 'Learn Mode' as this will interrupt the learn process.
- 6) Press and hold the test button on one alarm only, until it beeps and the red LED flashes. This alarm will then become the master and will start sending out a specific house code to the other alarms. As the other alarms receive the specific house code, their red LED will also flash. When all alarms are flashing, they are connected and can be switched out of 'Learn Mode' and installed back within the luminaires.

Changing the smoke alarm battery

- 1) Pull down the smoke alarm so the magnets are not connected to the luminaire. (Diagram 5)
- 2) Twist the smoke alarm anti clockwise to release the alarm from the mains power.
- 3) On the back of the alarm remove the cap over the battery (Diagram 8)
- 4) Remove the battery and replace with a new battery (Diagram 9)

Please note: You will not be able to install the smoke alarm without a battery being in the alarm and a CR2 battery is the only battery that can be used.

Testing the smoke alarm

After installation, and at least once a month, test all of your alarms to ensure they are operating correctly and are within range of each other. (Diagram 10)

It is recommended to check visually every week if the LED flashes correctly (Every 48 seconds).

Press the test button on any alarm (This is on the front plate of the alarm) for at least 10 seconds. This will send out a test signal from the alarm; all other connected alarms will receive the signal within a short time and the LED will flash every 8 seconds for two minutes.

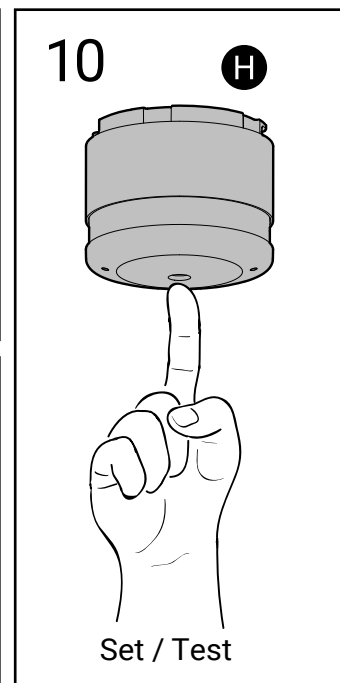
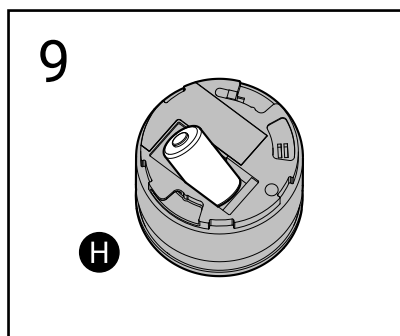
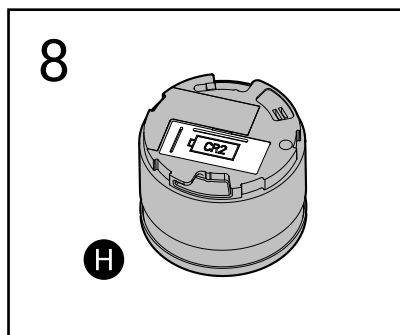
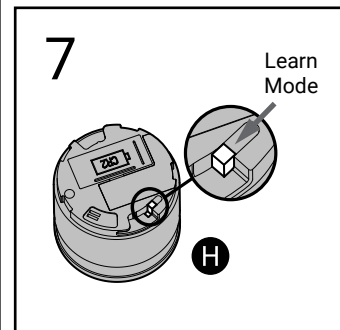
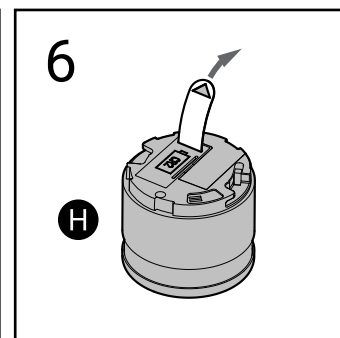
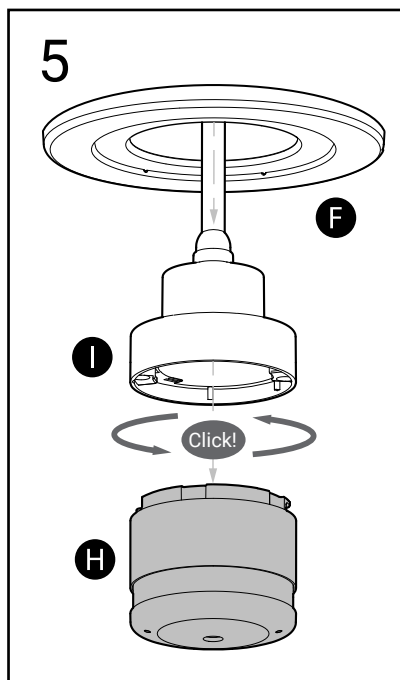
Please note: Test function also transmits a weaker RF signal to ensure an optimal operation in normal conditions.

When the test signal is sent out, the alarms will respond in two ways:

1. A single beep every 8 seconds indicates that the alarms are connected and functioning.
2. Three short beeps every 8 seconds indicates a smoke sensor fault. The alarm should be cleaned by running the vacuum (on a low setting) around the smoke alarm chamber and tested again.

If required this indication can be stopped early on each alarm by a short press of the test button.

If the problem continues please contact Lumi-Plugin.



H Smoke Alarm **I** Power Supply

Normal mode

In normal mode the LED will flash every 48 seconds to show correct operation.

The green LED is on when the alarm is connected to mains power. It may take up to 1 minute to indicate that mains power has been connected.

Alarm mode

When the smoke is detected, the smoke alarm will go into 'Alarm Mode'. It will sound the alarm signal and the red LED will flash.

The smoke alarm will also transmit the alarm signal to the other connected alarms, which will also sound the alarm signal after a short delay.

The CAVIUS Wireless Family have two different alarm signals:

Alarm Signal 1 --- --- --- is a life threatening alarm, like a smoke alarm.

Alarm Signal 2 --- is a non-life-threatening alarm, like a flooding alarm:

Smoke alarm signal: --- --- ---

Heat alarm signal: --- --- ---

Flood alarm signal: ---

CO alarm low level signal: ---

CO alarm high level signal: --- --- ---

Please note: Only the originating alarm's red LED will flash, so it can be identified.

Pause/hush function

If the smoke alarms are to set into a false alarm by cooking, fireplace, etc. they can be paused for 10 minutes by pressing the test button on the originating smoke alarm only (indicated by the flashing LED).

The reason for this is that it is necessary to locate the source of the alarm before using the hush function. This is to make sure that it is not a life threatening situation.

Developed by CAVIUS Aps for Sleep Safe Systems Limited
T/A Lumi-Plugin - Lindenmuth House, 37 Lindenmuth Way,
Greenham Business Park, Newbury, Berkshire, RG19 6HW
Manufactured in P.R.C.

Low battery signal

Your product has a battery back-up with a 1 year life in battery mode without mains power, and up to 10 years normal life with mains. However, we recommend to replace the battery every 5 years.

When the battery is starting its end of life, a short beep will sound out every 48 seconds for 30 days.

Maintenance & trouble shooting

The smoke alarm should be vacuum cleaned once per quarter, to remove dust particles, and it can be wiped with a damp cloth. (Do not open the alarm).

Please note: You can easily vacuum clean the smoke chamber through the dedicated openings in the top cover, and it's possible to test the alarms by pressing the cover at the same time.

High humidity condensing which can be resolved by drying the smoke alarm.

If the smoke alarm does not work when the test button is pushed, the probable cause is a power failure. Always test the alarm after replacement of battery.

Guarantee

- This luminaire is guaranteed for a period of 5 years or 50,000 hours - depending which comes first.
- The smoke alarm is guaranteed for a period of 2 years.
- The guarantee period is invalid if the product has been tampered with; if any of the product labels, manufacturing labels, rating labels or serial labels have been removed; or the product has not been installed in accordance with local wiring regulations.
- If the product fails within the guaranteed period, Sleep Safe Systems Limited T/A Lumi-Plugin will replace the product free of charge but take no responsibility for installation, operation or maintenance costs.
- Lumi-Plugin reserves the right to change the product specification without notice.
- The Smoke Alarm CE symbol affixed to this product confirms its compliance with the European Directives which apply to the product and, in particular, its compliance with the harmonized specifications of standard EN 14604 relating to Construction Products Regulation 305/2011.



5 Year
Warranty



50,000
Hours



Dimmable



Beam Angle
is 60°



700
Lumens



Fire Rated
30/60/90



16V



CE Mark



Driver
Included

Call +44 (0)33 0380 1329 or visit
lumi-plugin.com for more information